

CODE NUMBER

20301030

DESCRIPTION

ST-2030 Water Closet and ROYAL 940 Flushometer.

COMPONENTS

- Flushometer: Code 3913407
- Water Closet: Code 2102030

DETAILS

- Flush Volume: 1.28 gpf (4.8 Lpf)
- Nominal Dimensions: 25 ¼" x 16 1/125" x 17" (641 x 407 x 432mm)

FLUSHOMETER FEATURES

- ADA Compliant Non-Hold-Open Actuator
- Vacuum Breaker Flush Connection for 1½" Back Inlet
- Non-Hold-Open Push Button, Fixed Metering Bypass and No External Volume Adjustment to Ensure Water Conservation.
- Handle Packing, Main Seat, Stop Seat and Vacuum Breaker Molded from PERMEX® Rubber Compound for Chloramine resistance
- 1" I.P.S. Wheel Handle Bak-Chek® Angle Stop

FIXTURE FEATURES

- White Vitreous China
- Elongated bowl
- Floor mounted, floor outlet
- Siphon jet flushing action achieves 1000g Map score
- Water spot area: 10⅞" x 9⅜" (26 cm x 24 cm)
- ½ I.P.S. rear spud inlet
- 2⅝" fully glazed trapway
- Closet bolts and caps included
- Toilet seat not included
- Static load rating of 1000 lbs. (See Notes)

**COMPLIANCES & CERTIFICATIONS**

(BREEAM Water Credit, Green Globes Water Credit, LEED V4 Water Efficiency Credit, Satisfies LEED Credits, WaterSense Listed, BAA Compliant)

DOWNLOADS

- [HET Wall Hung Installation Instructions](#)
- [SS/ST/SU/WETS/WEUS Fixtures Repair and Maintenance Guide](#)
- [Additional Downloads](#)

NOTES

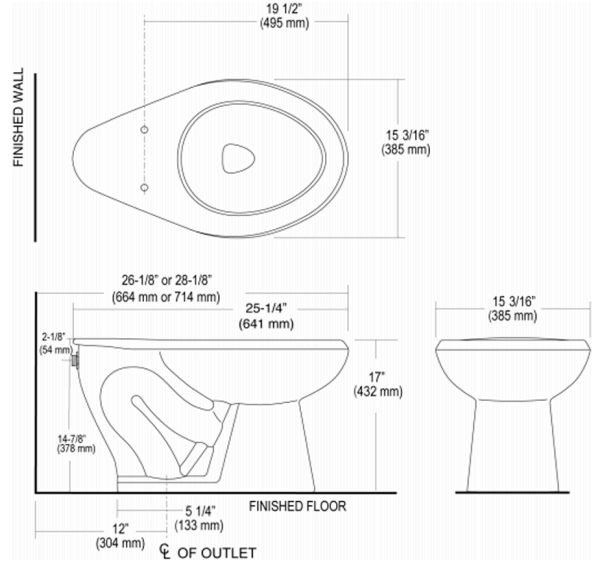
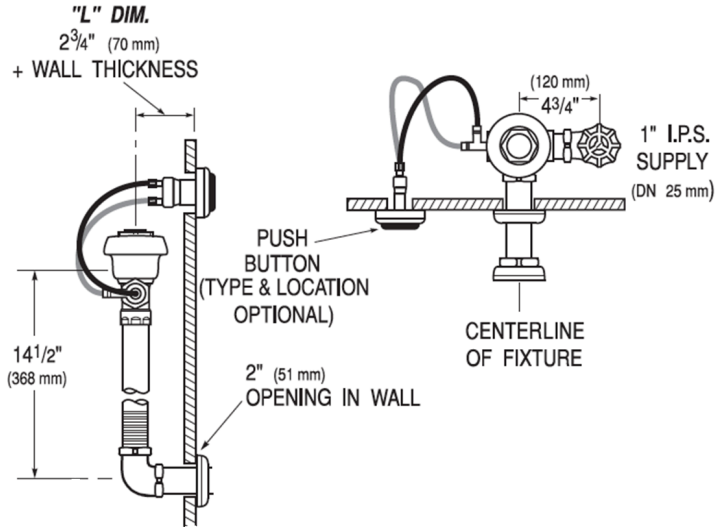
All information contained within this document subject to change without notice.

Static load tested according to the procedure outlined in Section 6.7 of ASME A112.19.2. Not recommended for bariatric use.

Sloan 10500 Seymour Ave, Franklin Park, IL 60131

Phone: 800.982.5839 • Fax: 800.447.8329 • sloan.com

ROUGH-IN



Sloan 10500 Seymour Ave, Franklin Park, IL 60131
Phone: 800.982.5839 • Fax: 800.447.8329 • sloan.com